

USER MANUAL

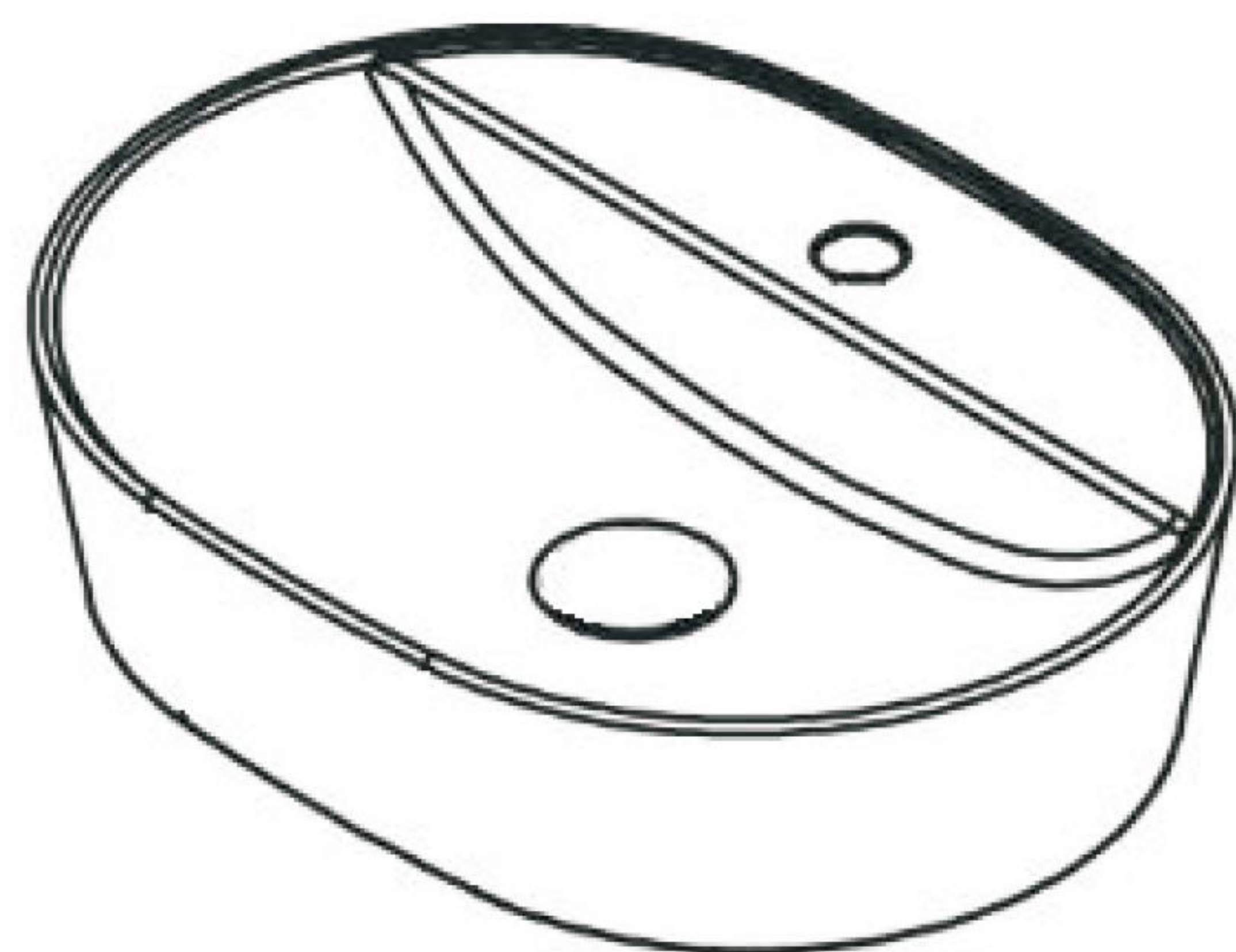
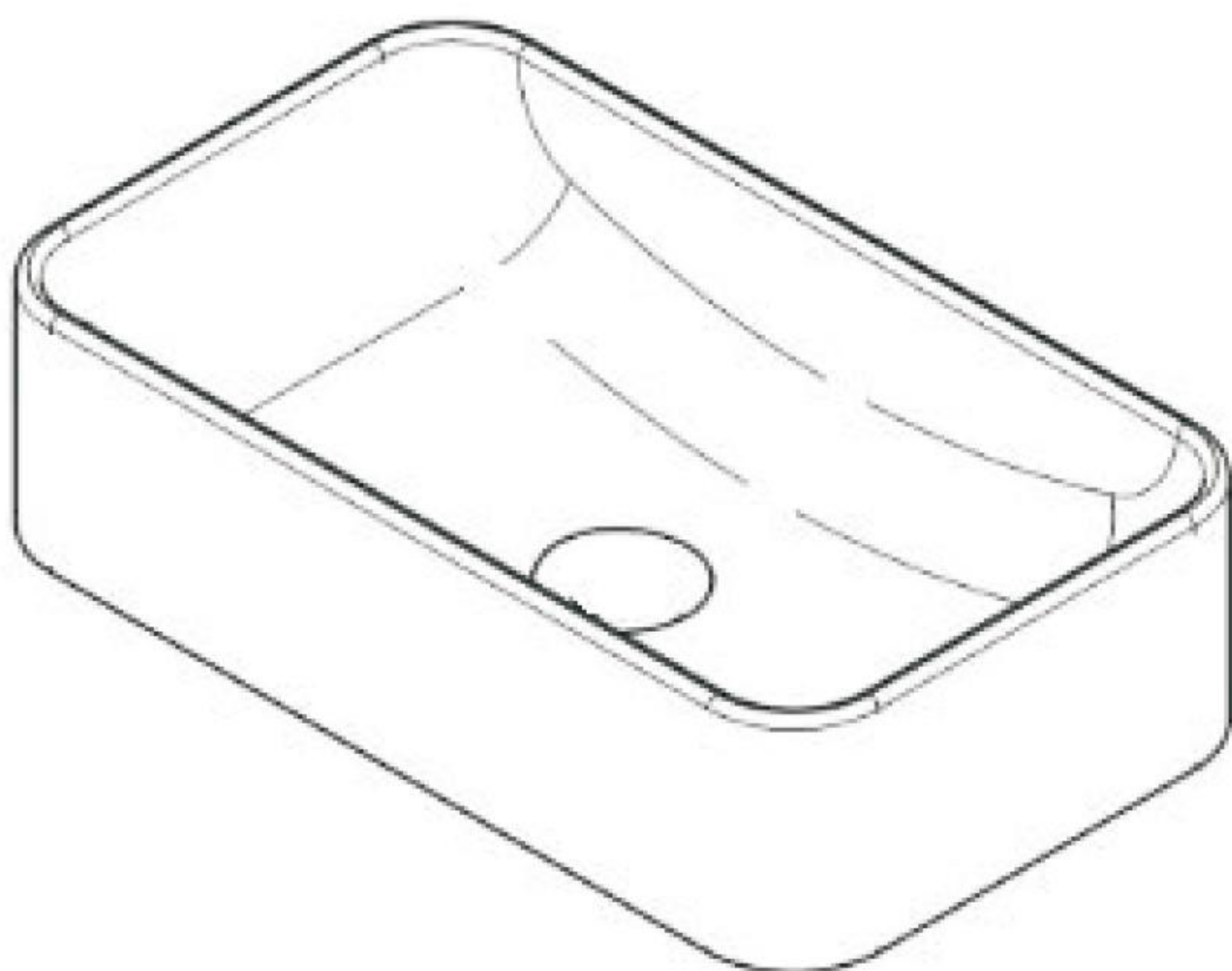


Thank you for choosing Better Bathrooms.
Please read this manual before installing your product
and keep for future reference.

better 
bathrooms

Basin Countertop

- Waste, trap and tap sold separately



Please note: Image is for illustrative purposes only and may differ slightly to the actual product

- **Single-person assembly**
- **Tools required**
- **We always recommend using professional tradespeople to install your product**

V4_20.09.22

Congratulations on your purchase

And welcome to our growing gang of savvy shoppers

We're on a mission to bring you extraordinary bathroom products, for less. From modern to traditional style ceramics, plus the gorgeous fixtures, fittings and furniture to match. So, you can fall in love with your space every single day.

As one of the UK's largest independent bathroom stores, we've received countless awards; including the National Business Awards UK, the Digital Entrepreneur Awards and being placed on The Sunday Times Fast Track 100.

We hope your new product exceeds your highest expectations. However, if you experience any problems, please:

- log in to your account and contact our customer services team via your self-serve portal – betterbathrooms.com/CustomerAccount/Login
- contact us via betterbathrooms.com/content/contact-us

Important information

- Please read these instructions thoroughly and retain for future reference
- Always check for pipes and cables before drilling

Parts

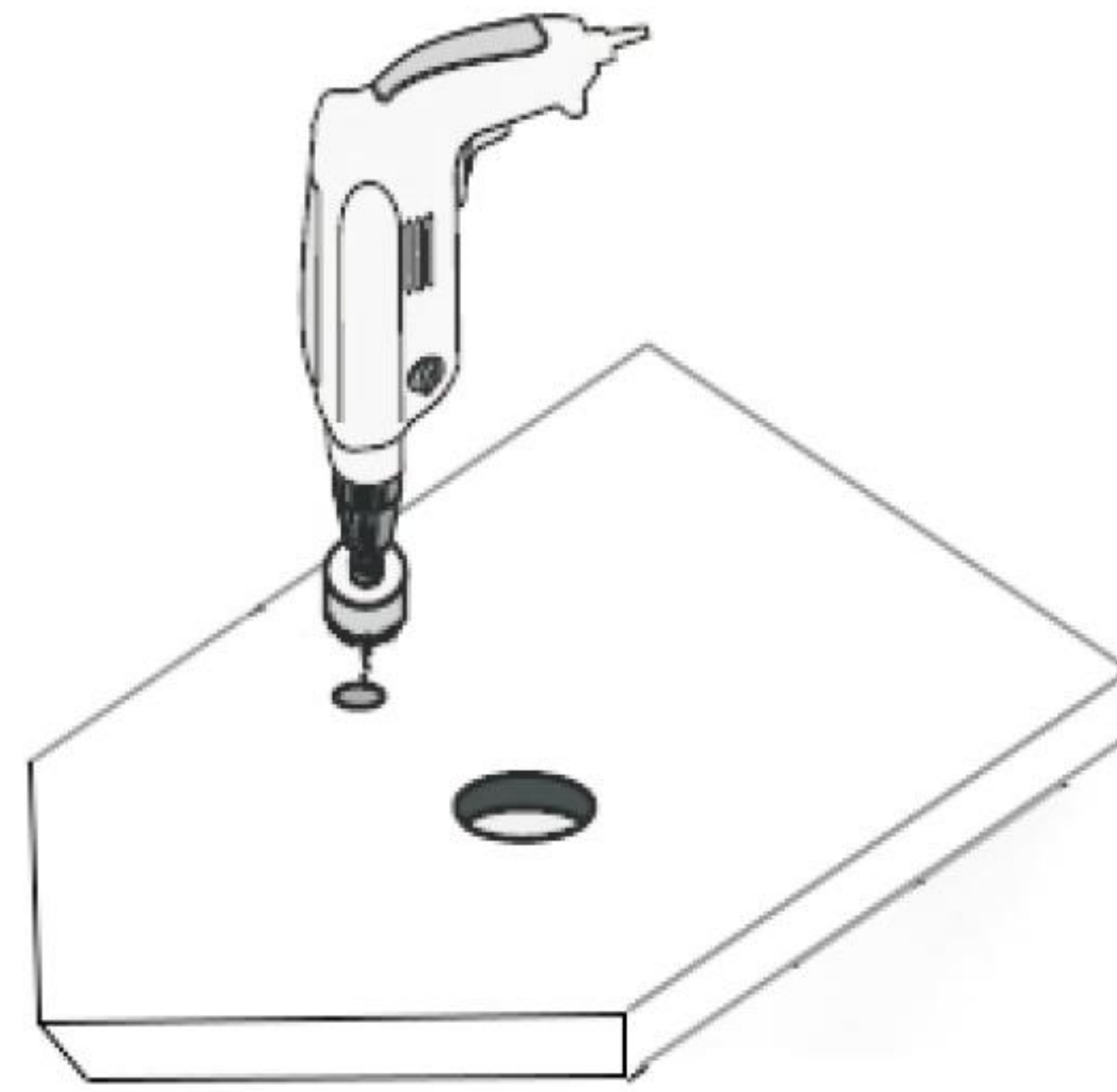
1 x Basin

Tools required

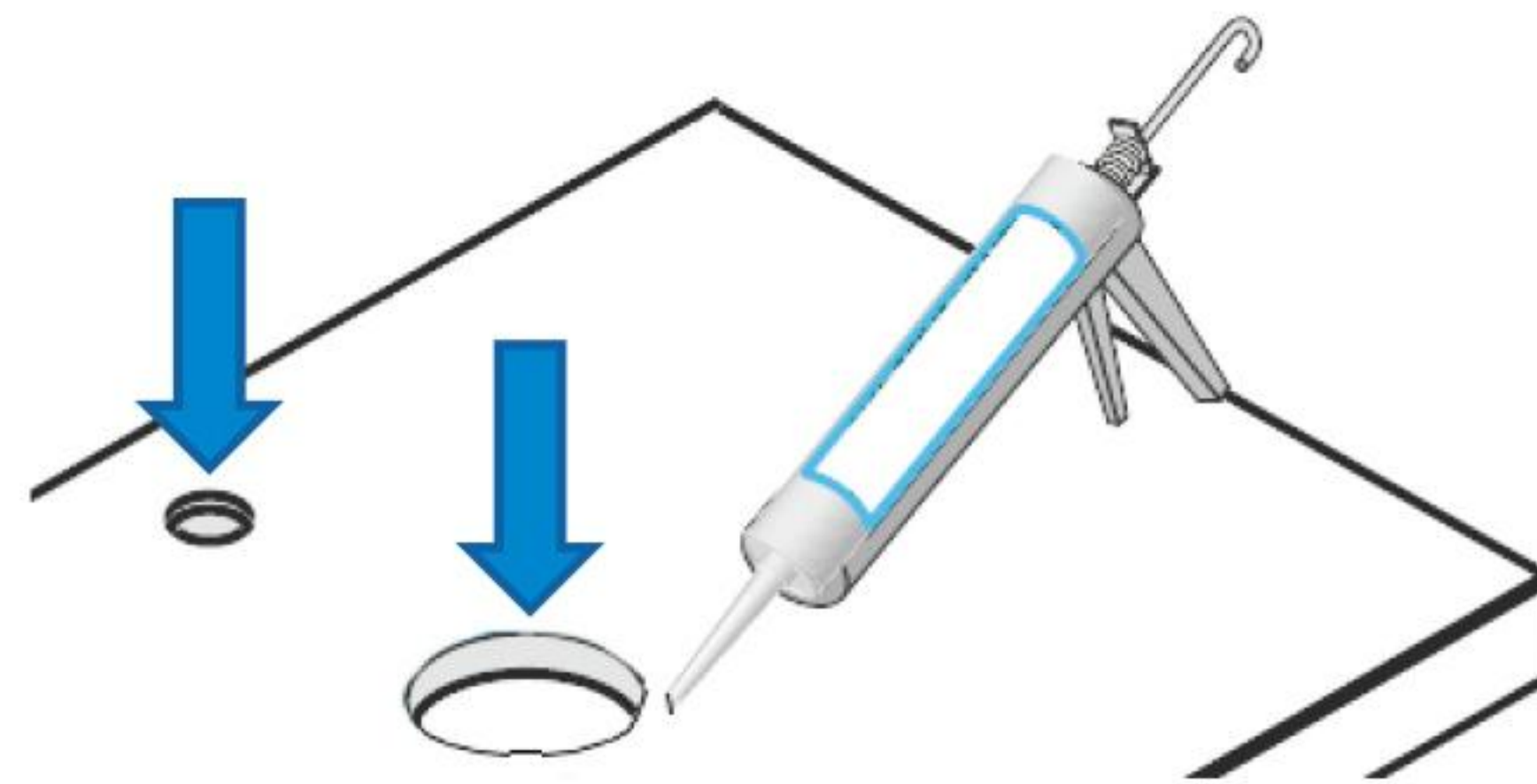
Silicone, drill and hole cutter

Installation

1. Proceed to cut holes for waste and tap as required, ensuring that the tap hole is positioned at a distance which does not cause interference with the basin.

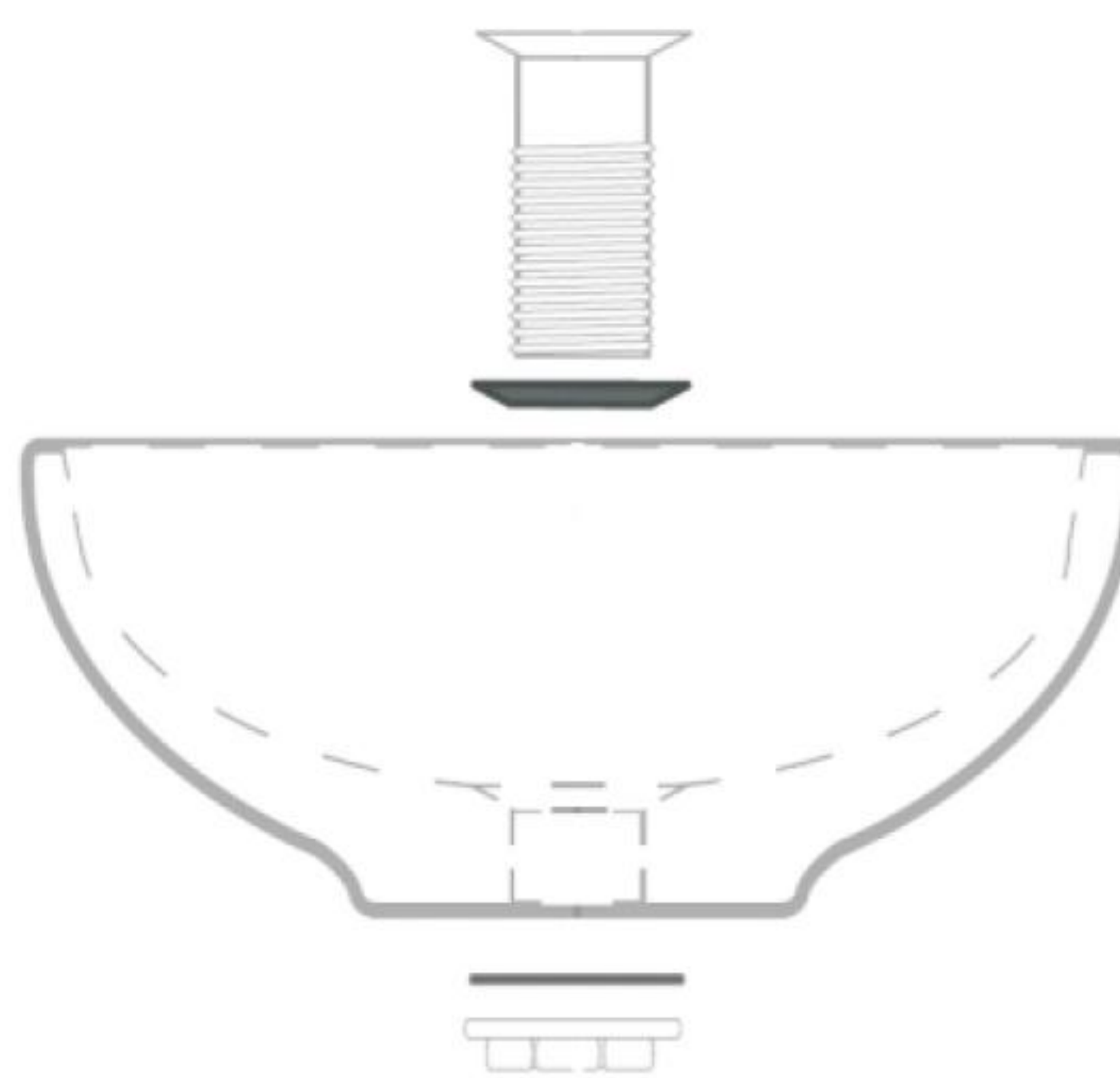


2. Seal the inside and exposed edge after cutting to prevent water or moisture penetration.

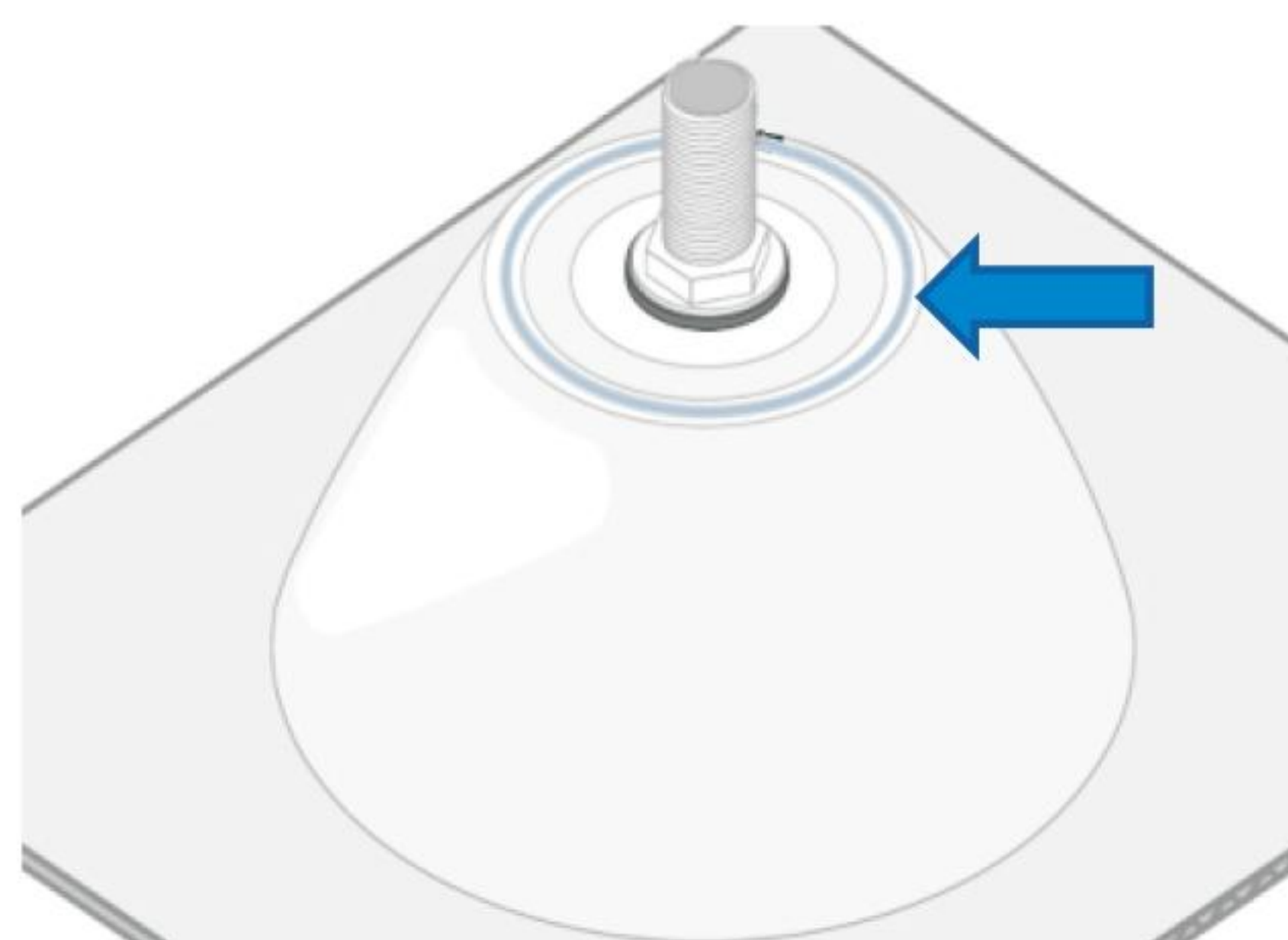


Please note: Allow all sealant to dry for at least 24 hours before use 

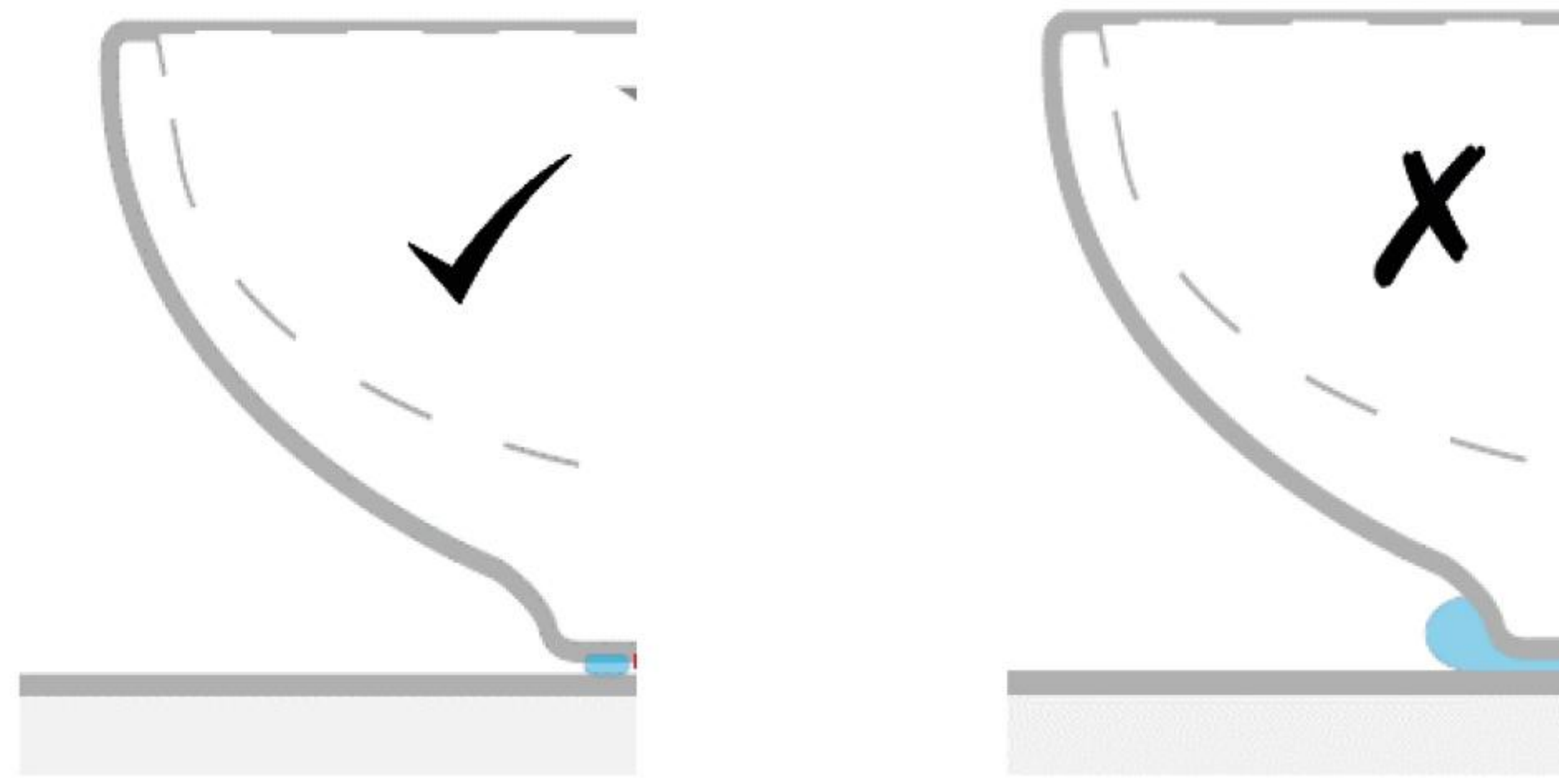
3. Fit the basin waste to the basin as shown (and follow waste instruction).



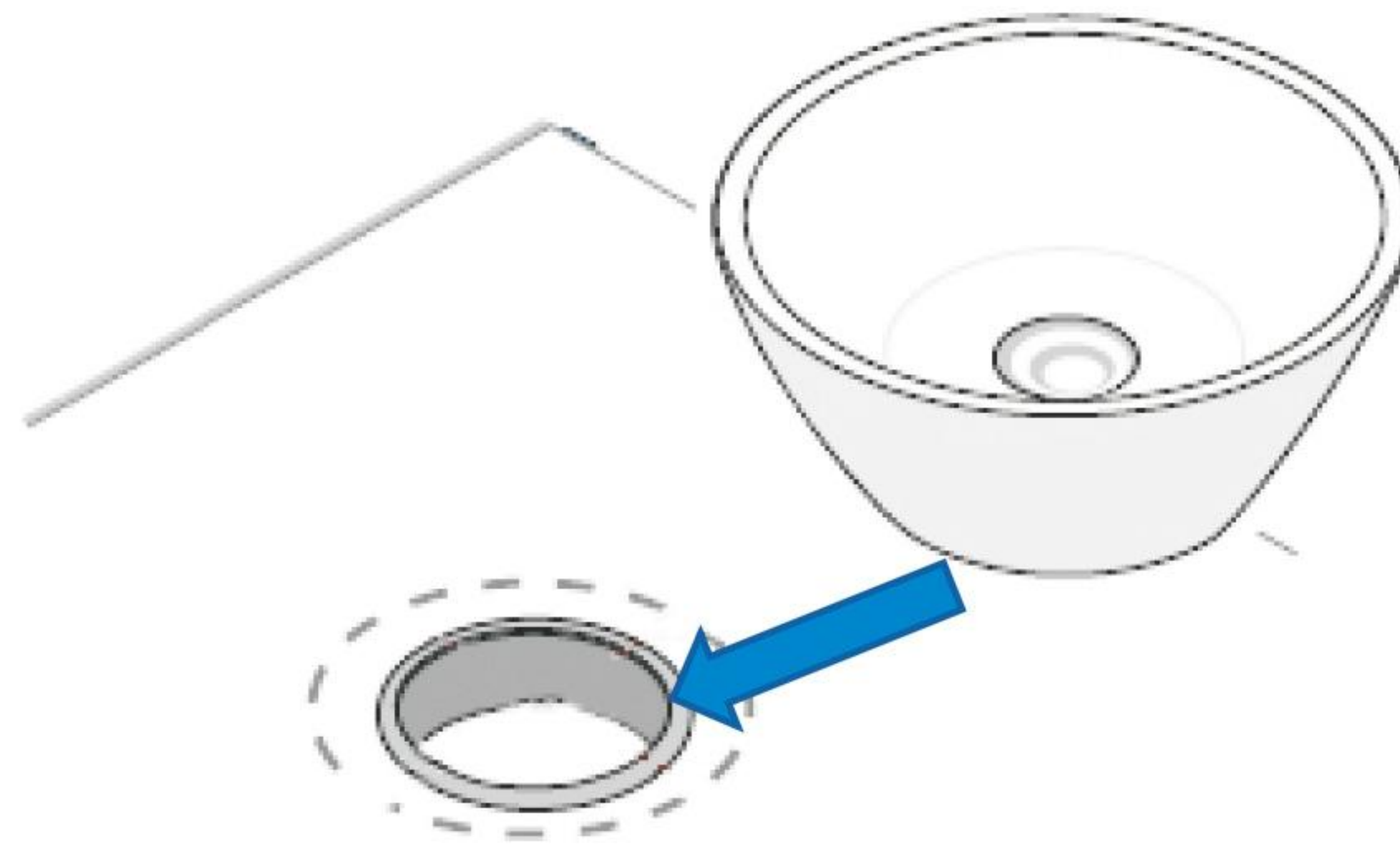
4. Apply a bead of silicone slightly form the edge of the basin.



5. Apply the silicone slightly in from the outer edge on the underside of the basin.



6. Place the basin into position with the waste through the drilled hole to allow connection to the waste trap (not supplied).



Please note: Allow all sealant to dry for at least 24 hours before use 

Cleaning

To maintain the surface finish of your product, wipe clean after every use, using a clean damp cloth, a mild detergent mixture can be used. Do not use abrasive cleaning agents or materials which can strip and scratch the surface; the use of these agents or materials can invalidate your guarantee.

For more information

- visit betterbathrooms.com
- email customerservices@buyitdirect.co.uk
- call 0330 390 3062
- write to Trident Business Park, Neptune Way, Huddersfield, HD2 1UA

**better
bathrooms** 

Part of the BuyItDirect Group